

# LB1-UW06x-x Cabinet Loudspeakers

www.boschsecurity.com



**BOSCH**  
Invented for life



- ▶ Good speech intelligibility and background music reproduction
- ▶ Available in black or white
- ▶ MDF construction
- ▶ With or without integral volume control
- ▶ Complies with international installation and safety regulations

The LB1-UW06x-x is a 6 W, general-purpose, cost-effective loudspeaker for indoor use, with or without volume control. Keyholes at the rear are provided for quick and easy wall mounting. The angled front baffle results in a better sound in the listening area. The cabinet is available in black or white.

## Functions

The robust, solid MDF (medium density fiber board) enclosures are covered with a durable, easy-to-clean vinyl in a choice of white or black. The ABS fronts are covered with fine woven cloth in matching color. The angled front baffle results in improved high frequency reproduction in the listening area.

The speaker is available with or without a volume control.

## Certifications and approvals

All Bosch loudspeakers are designed to withstand operating at their rated power for 100 hours in accordance with IEC 268-5 Power Handling Capacity (PHC) standards. Bosch has also developed the Simulated Acoustical Feedback Exposure (SAFE) test to demonstrate that they can withstand two times their rated power for short durations. This ensures

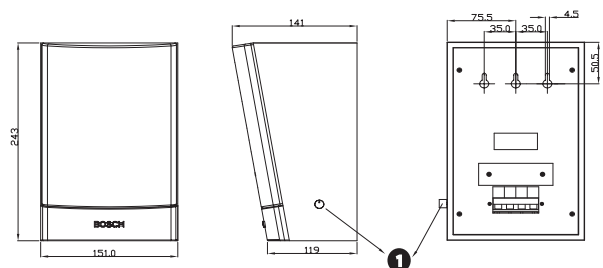
extra reliability under extreme conditions, leading to higher customer satisfaction, longer operating life, and much less chance of failure or performance deterioration.

Safety

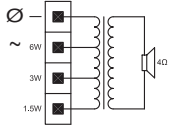
acc. to EN 60065

## Installation/configuration notes

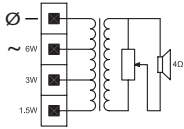
Three keyholes in the rear panel provide easy and quick wall mounting. A convenient, easy-to-use, 4-pole push-in terminal block is on the rear panel for on-site wiring. This terminal block has provision for power tapping on the 100-volt, matching transformer in the cabinet. It allows selection of nominal full-power, half-power or quarter-power radiation (in 3 dB steps).



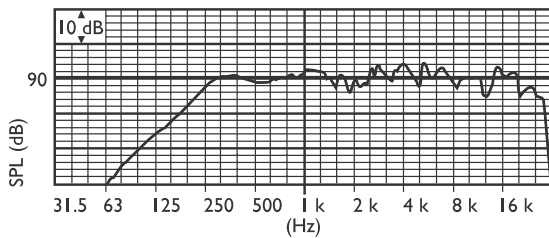
Dimensions LB1-UW06-x in mm showing volume control (1)



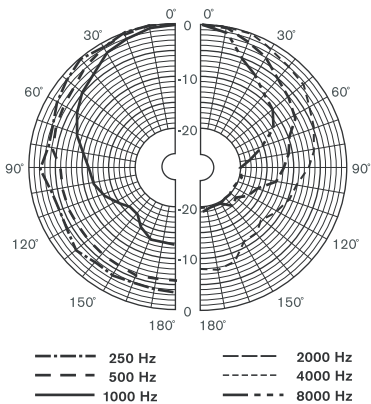
Circuit diagram LB1-UW06-x



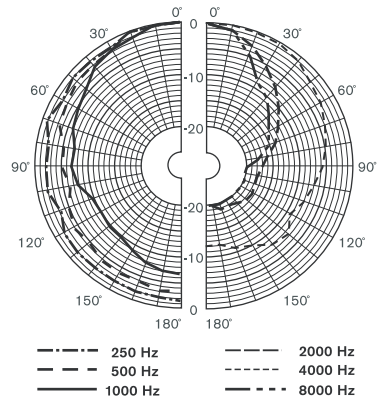
Circuit diagram LB1-UW06V-x



Frequency response



Polar diagram horizontal (measured with pink noise)



Polar diagram vertical (measured with pink noise)

**Technical specifications**

**Electrical\***

Maximum power	9 W
Rated power	6 / 3 / 1.5 W
Sound pressure level at 6 W / 1 W (1 kHz, 1 m)	99 dB / 91 dB (SPL)
Sound pressure level at 6 W / 1 W (4 kHz, 1 m)	100 dB / 92 dB (SPL)
Effective frequency range	180 Hz to 20 kHz (-10 dB)
Opening angle horizontal	165° / 95°
Opening angle vertical	158° / 73°
Rated input voltage	100 V
Rated impedance	1667 ohm
Connector	4-pole push-in terminal block

\* Technical performance data acc. to IEC 60268-5

**Mechanical**

Dimensions (H x W x D)	243 x 151 x 141/119 mm (9.5 x 5.9 x 5.6/4.7 in)
Weight	0.9 kg (2 lb)
Color cabinet / cloth (D)	Black (D) or white (L)
Color cabinet / cloth (L)	Matches RAL 9004 / RAL 9004 Matches RAL 9010 / RAL 7044

**Environmental**

Operating temperature	-25 °C to +55°C (-13 °F to +131 °F)
Storage temperature	-40 °C to +70 °C (-40 °F to +158 °F)
Relative humidity	<95%

## Ordering information

### LB1-UW06-D Cabinet Loudspeaker

6 W, black

Order number **LB1-UW06-D**

### LB1-UW06V-D Cabinet Loudspeaker with Volume Control

6 W, black.

Order number **LB1-UW06V-D**

### LB1-UW06-L Cabinet Loudspeaker

6 W, white

Order number **LB1-UW06-L**

### LB1-UW06V-L Cabinet Loudspeaker with Volume Control

6 W, white

Order number **LB1-UW06V-L**

#### Represented by:

##### Americas:

Bosch Security Systems, Inc.  
12000 Portland Avenue South  
Burnsville MN 55337, USA  
Phone: +1-800-392-3497  
Fax: +1-800-955-6831  
audiosupport@us.bosch.com  
www.boschsecurity.com

##### Europe, Middle East, Africa:

Bosch Security Systems B.V.  
P.O. Box 80002  
5617 BA Eindhoven, The Netherlands  
Phone: + 31 40 2577 284  
Fax: +31 40 2577 330  
emea.securitysystems@bosch.com  
www.boschsecurity.com

##### Asia-Pacific:

Robert Bosch (SEA) Pte Ltd, Security Systems  
11 Bishan Street 21  
Singapore 573943  
Phone: +65 6571 2808  
Fax: +65 6571 2699  
apr.securitysystems@bosch.com  
www.boschsecurity.asia

##### China:

Bosch (Shanghai) Security Systems Ltd.  
201 Building, No. 333 Fuquan Road  
North IBP  
Changning District, Shanghai  
200335 China  
Phone +86 21 22181111  
Fax: +86 21 22182398  
www.boschsecurity.com.cn

##### America Latina:

Robert Bosch Ltda Security Systems Division  
Via Anhanguera, Km 98  
CEP 13065-900  
Campinas, Sao Paulo, Brazil  
Phone: +55 19 2103 2860  
Fax: +55 19 2103 2862  
al.securitysystems@bosch.com  
www.boschsecurity.com